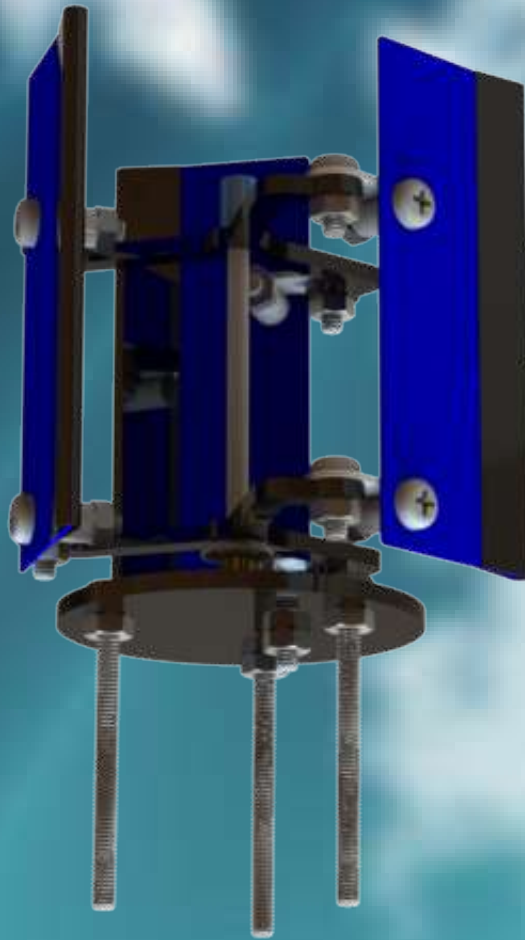


Vertical Wind Turbine Dikey Rüzgar Türbini













75124

Montaj Kılavuzu
Assembly Instructions

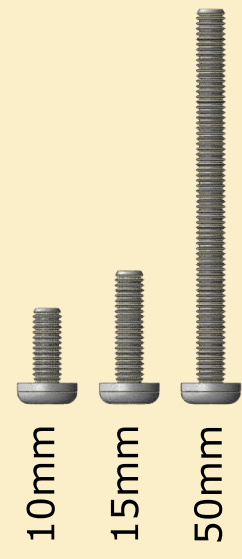


Quick Start Guide

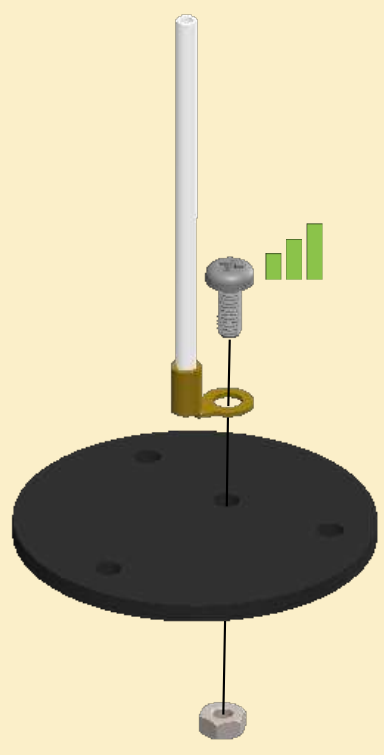
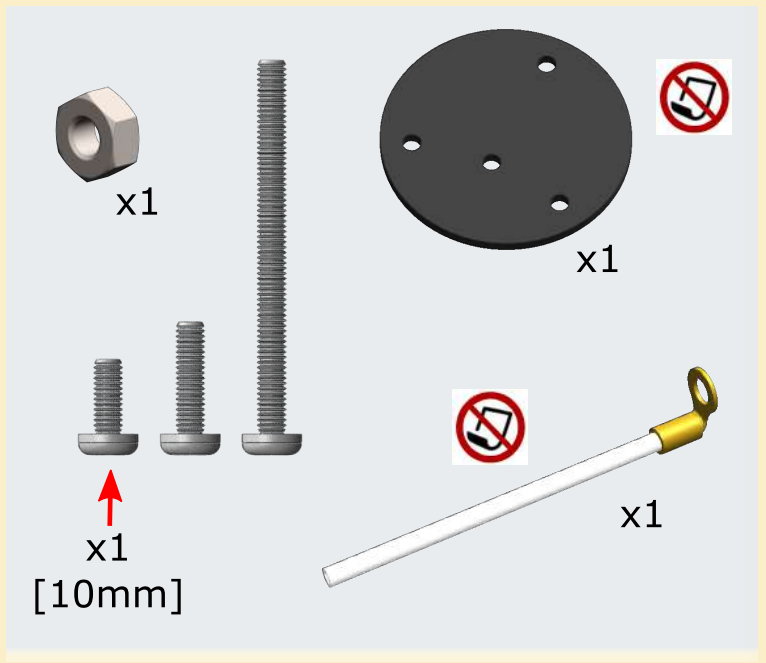
A list of techniques that may be needed during assembling.
Descriptions of technical pictograms.

	Using tools.
	No tools needed.
	Using Free Hand: Rotate / Assembly the part by your hand.
	Less Tight: Apply weak power to make it slack.
	Average Tight: Apply sweet power to make it snugly.
	Most Tight: Apply most power to make it strict.
	Turn / Rotate: Rotate to see the side indicated on blueprint.
	Flexible: The part is able to bending or folding.
	Not Flexible: Do not bend or fold. Some parts will not bend or fold. Indicated on blueprint.
	Laxity: to make less tight the cables, sheets and plates while assembling. Indicated on blueprint.
	Sweet Tight Rotation: Provide the joint snugly and rotatable.
	Gap / Space: To give space between two parts.

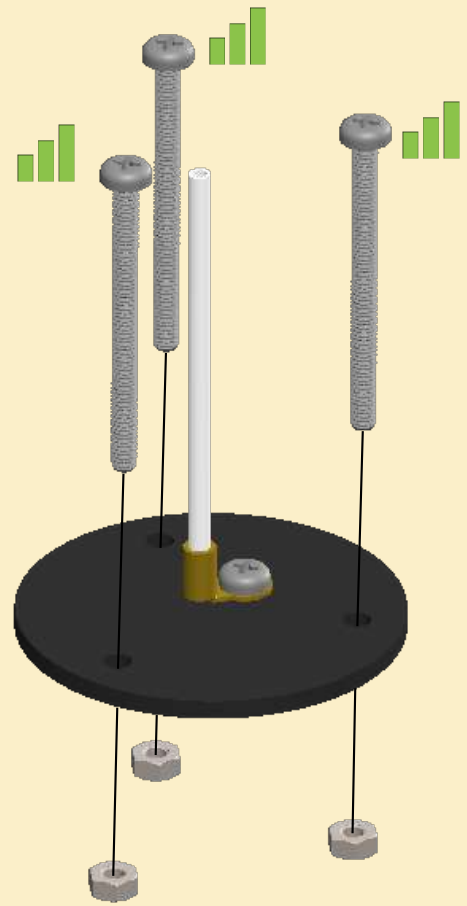
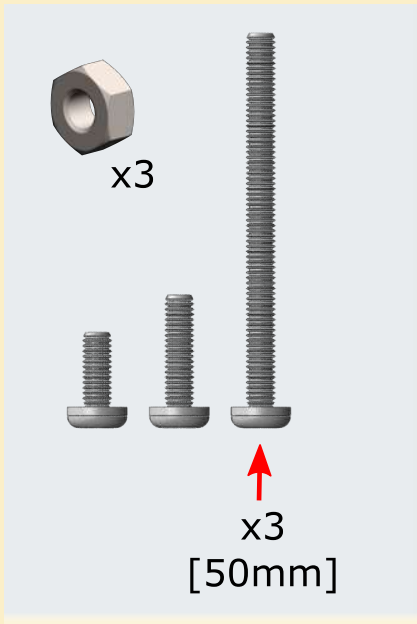
243526B



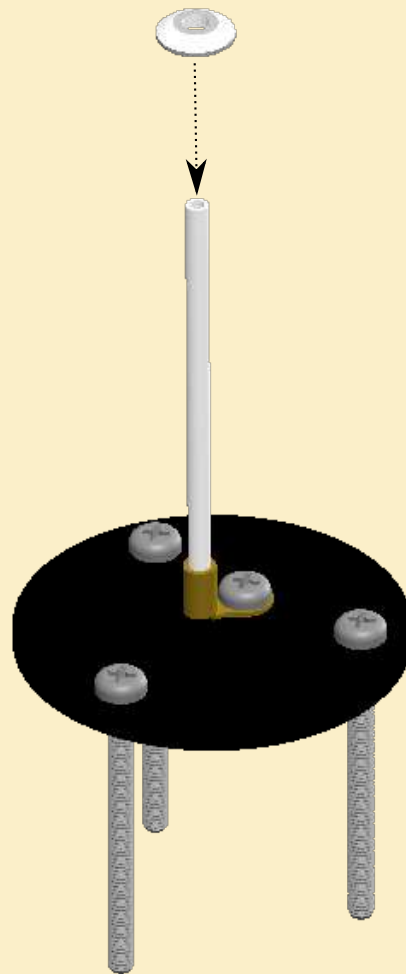
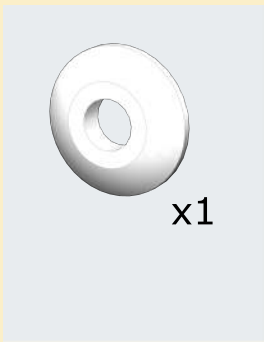
1



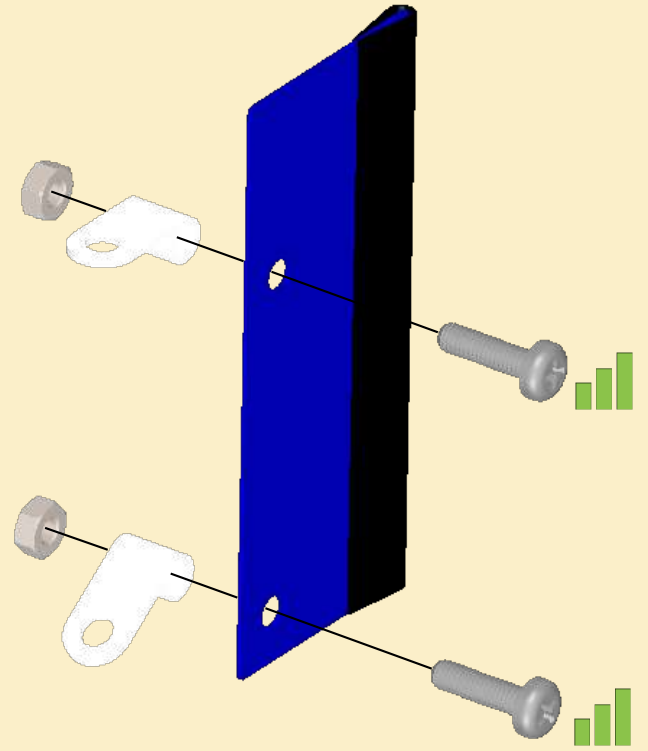
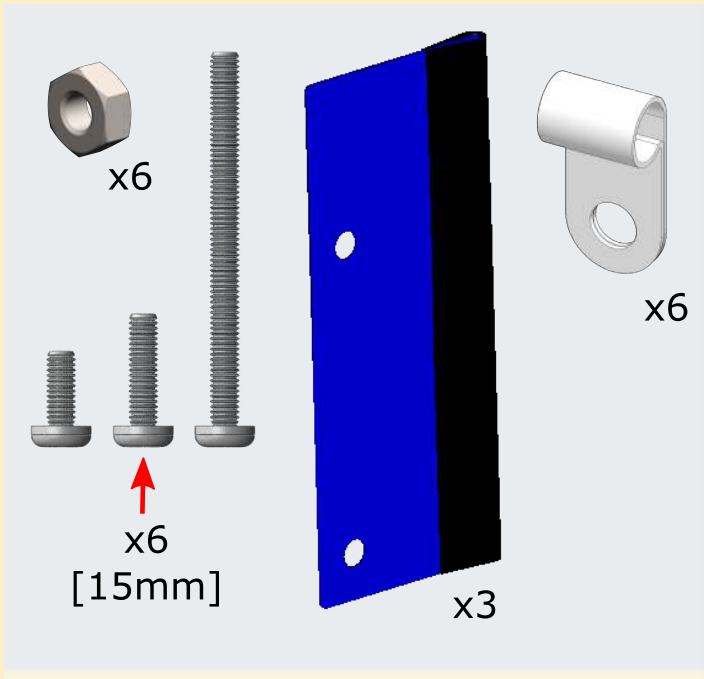
2



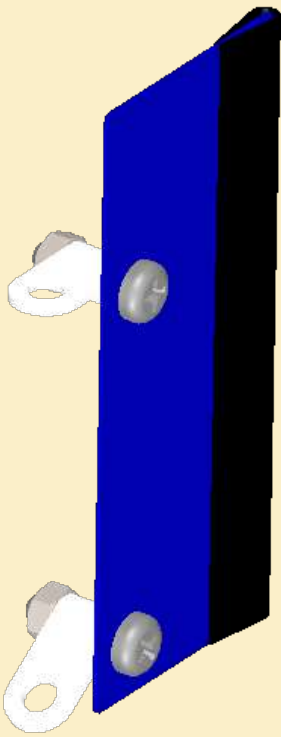
3



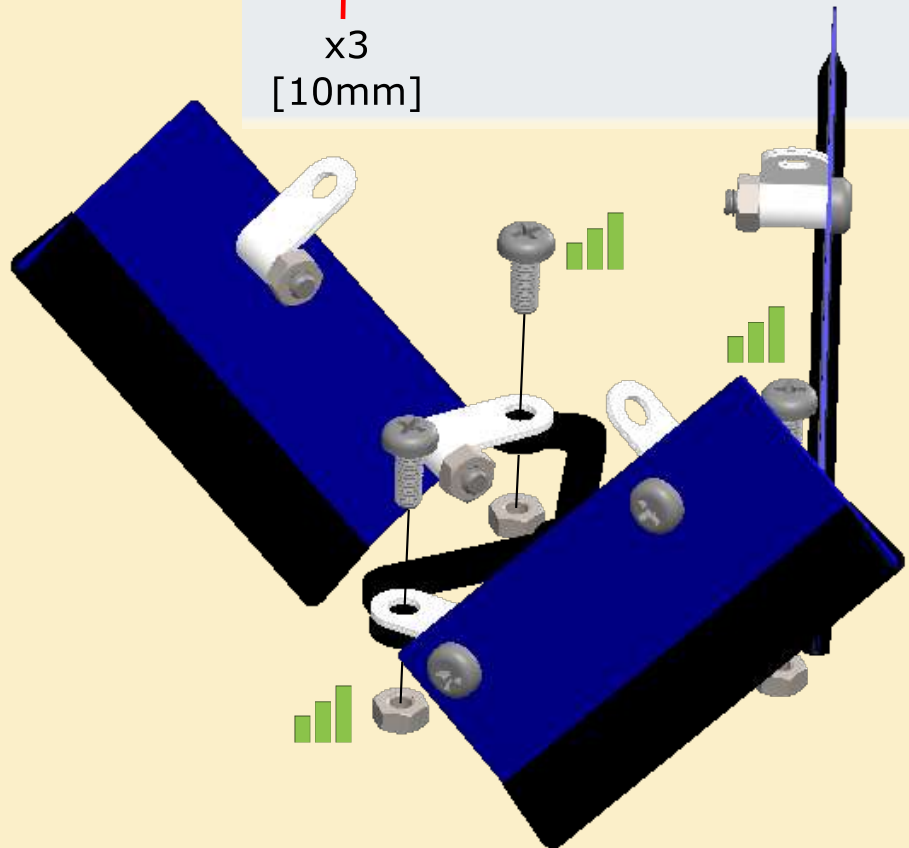
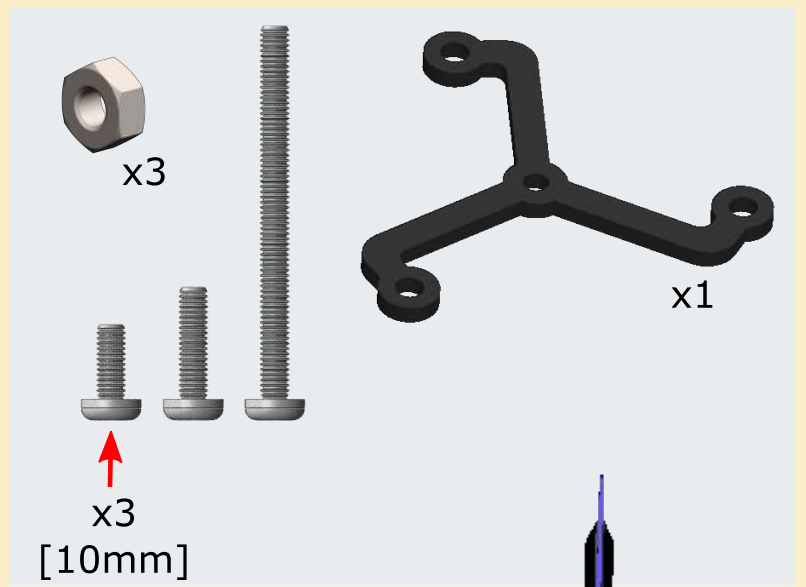
4



5

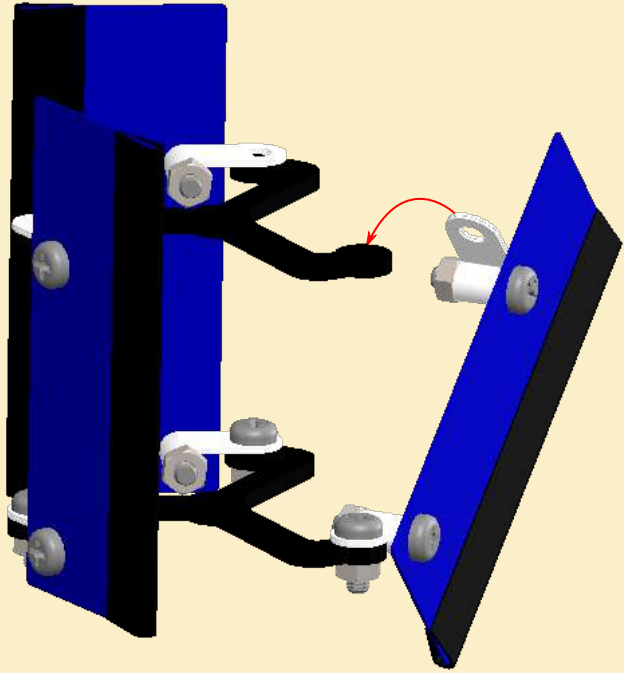
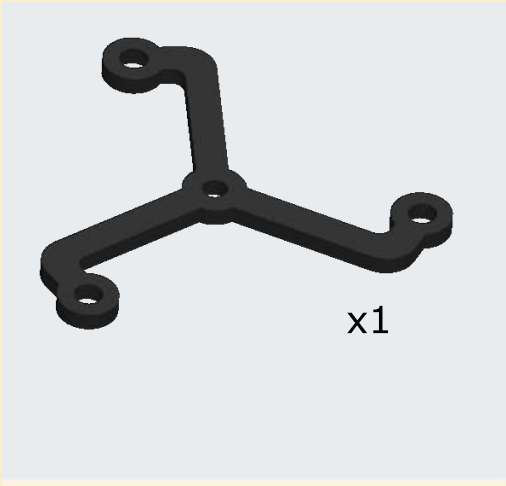


6

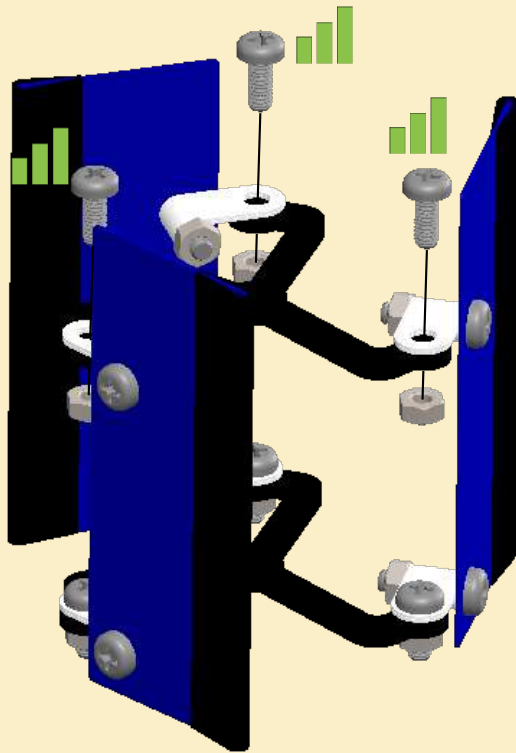
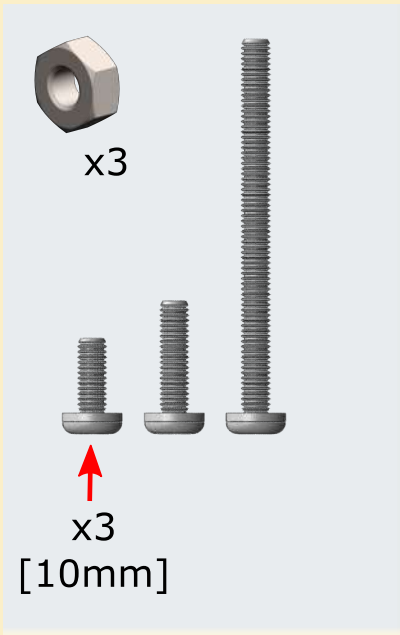


4

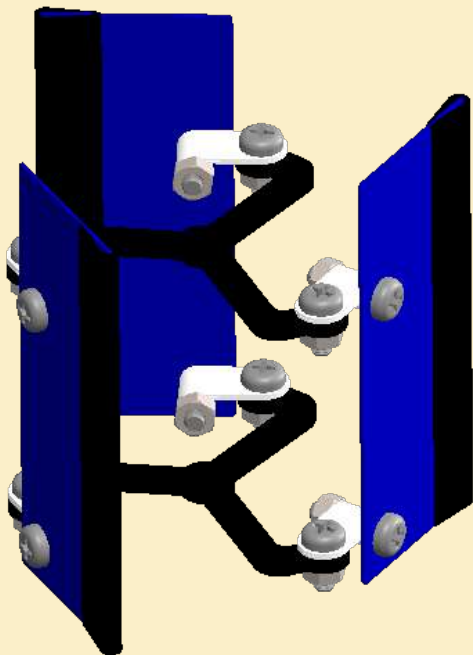
7



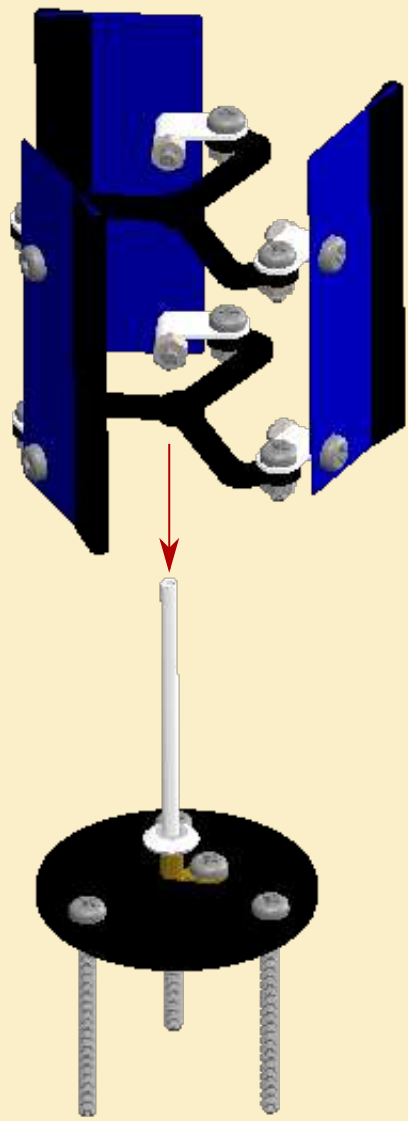
8



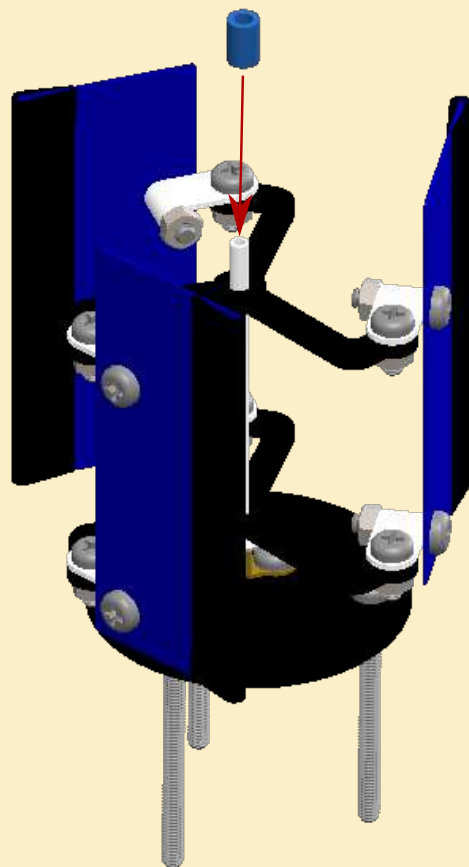
9



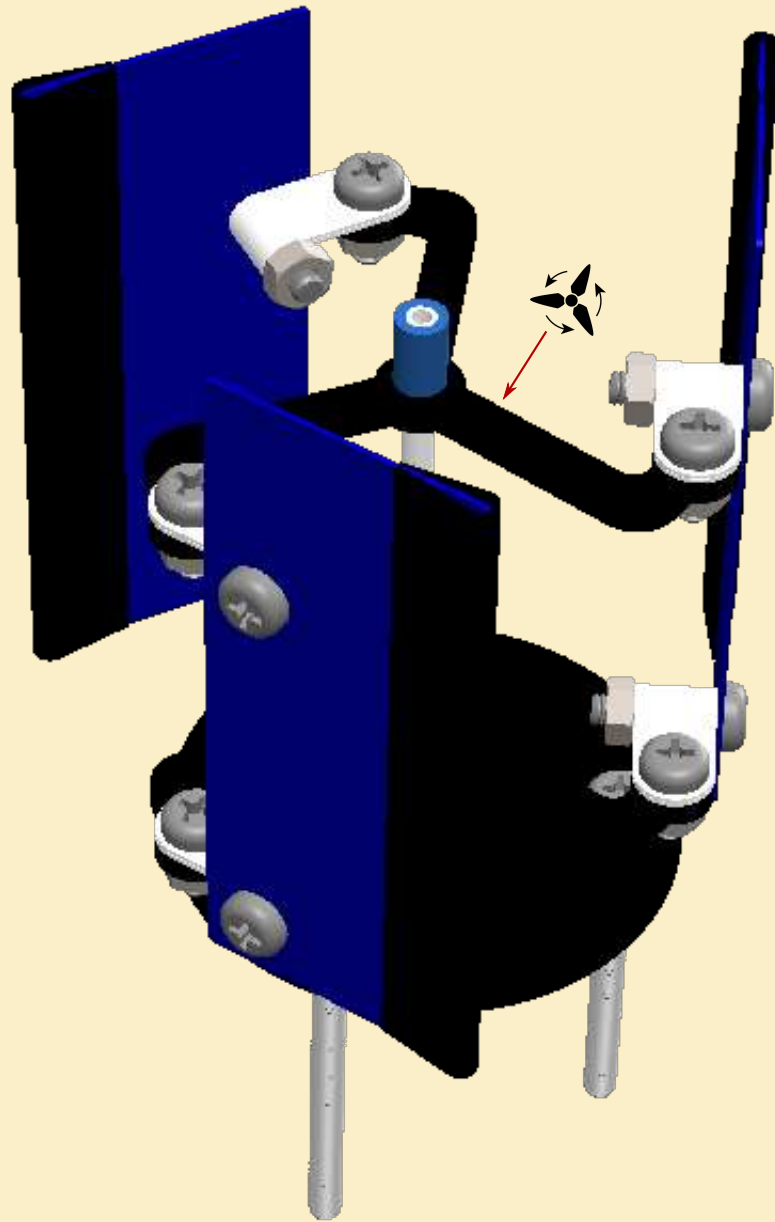
10



11



6



Vertical Wind Turbine Dikey Rüzgar Türbini

75124

